



www.all.ee



Orbit







Orbit

- # High level of robustness, ideal for large glazing openings.
- # Certification that allows the product use for projects that demand high performance standards (1.7 KN/m).
- # Maximum height 2 m & width 1.50 m for special hotel partition applications and max. height 1.20 m and width 1.30 m for typical railing applications.
- # Ideal solution for space partition in indoor and outdoor spaces.
- # Having the use of partition cooperates with all Fusion Line handrails for all railing typologies.
- # Suitable for fixed windscreen in commercial places.
- # Available in all range of electrostatic and anodising shades.
- # Suitable for modern homes, commercial buildings and hotels.
- # Maximum glass thickness 66.4PVB=13.52 mm

Orbit 1





Orbit

Orbit 2











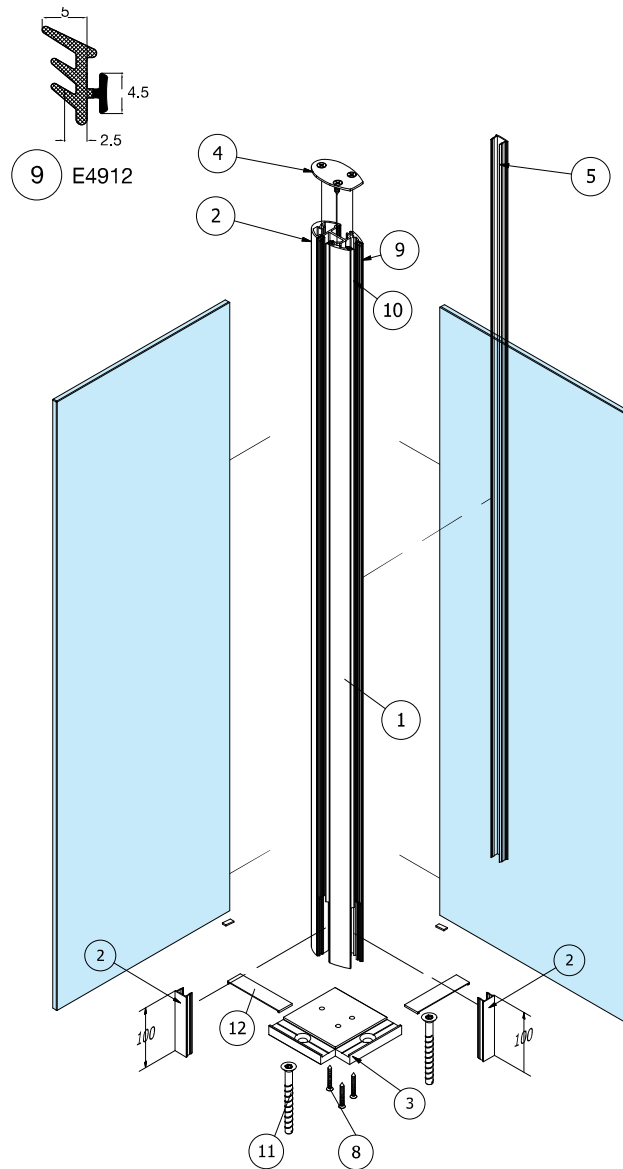
Orbit

Hotel partitions in harmony with the environment.

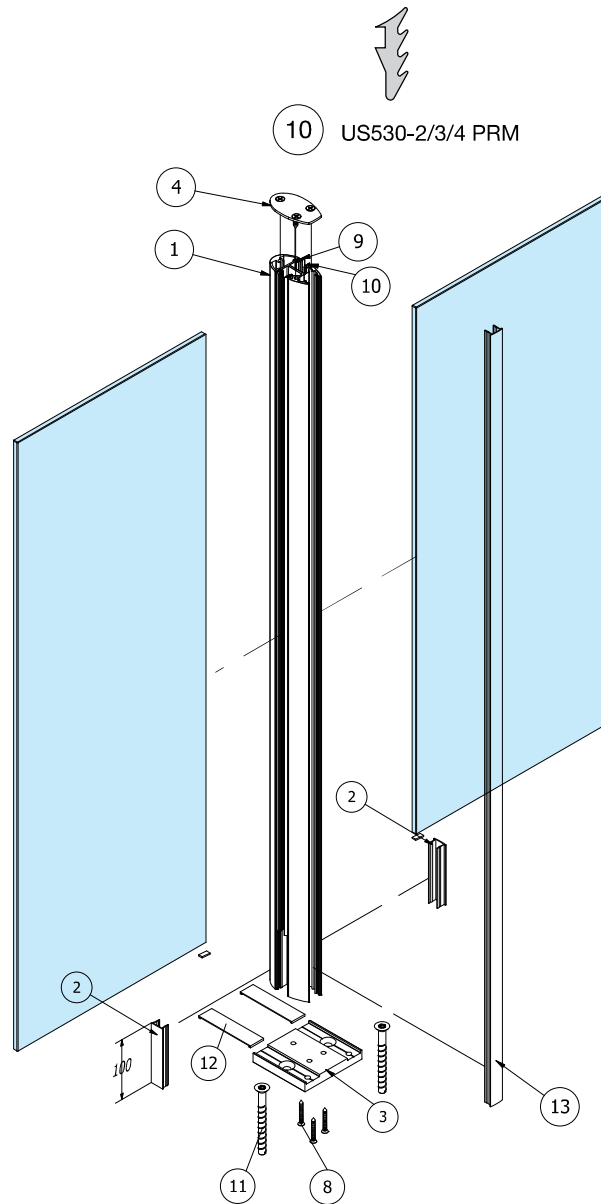
Two types of Orbit are the ideal solution to maintain the balance between the aesthetics and the need for privacy.



Parts List

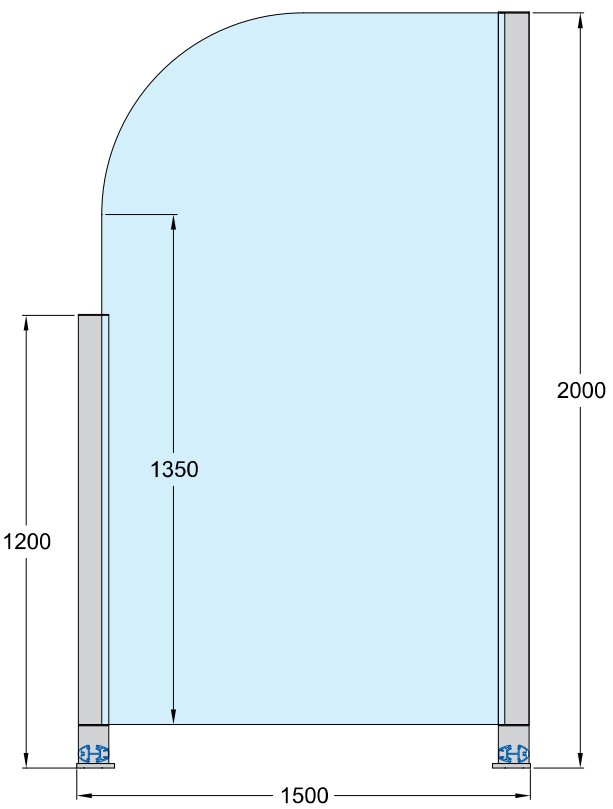
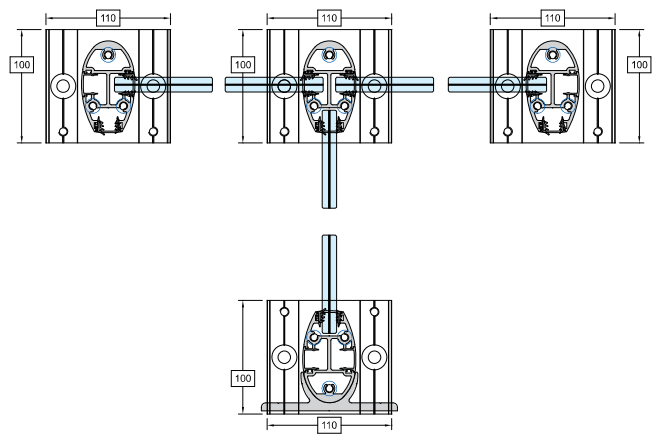
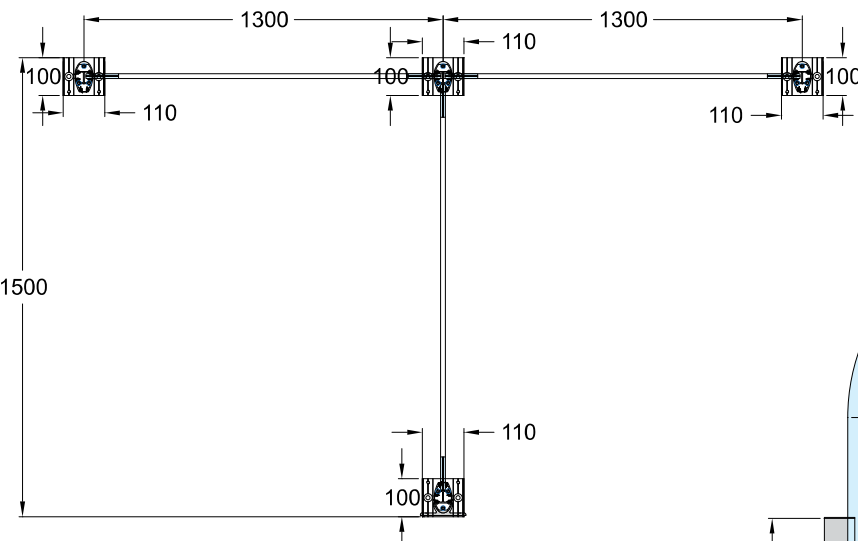
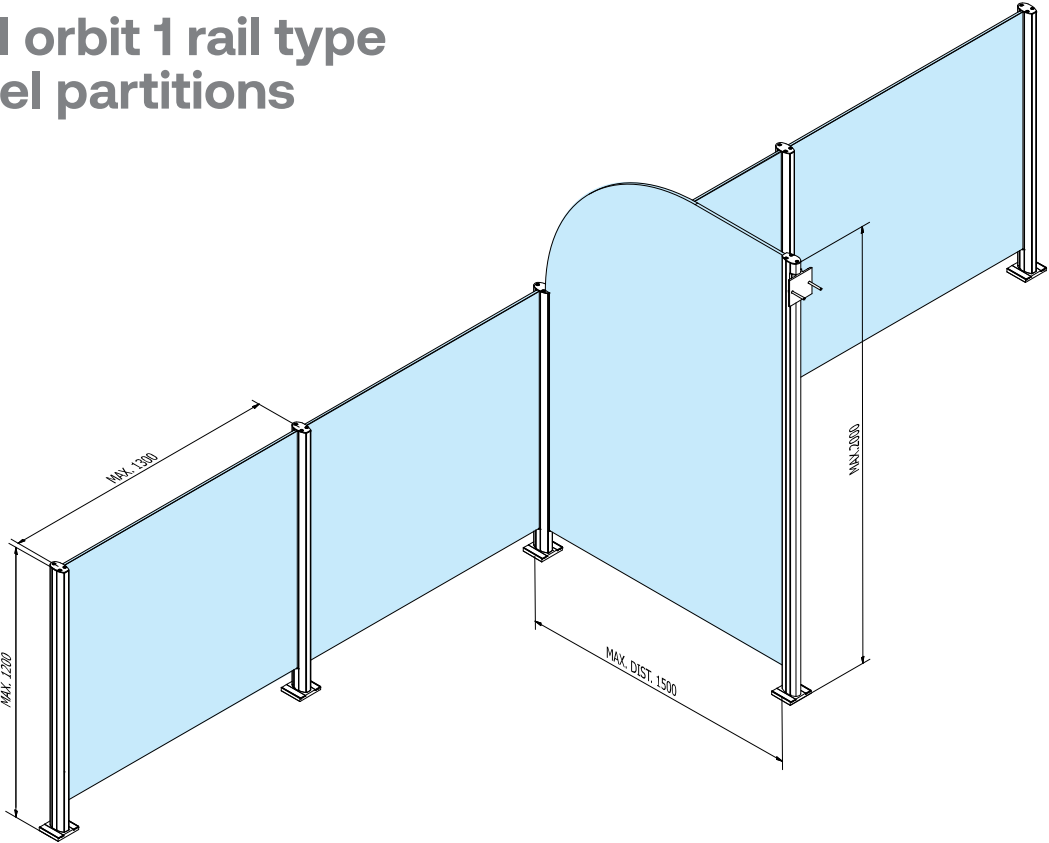


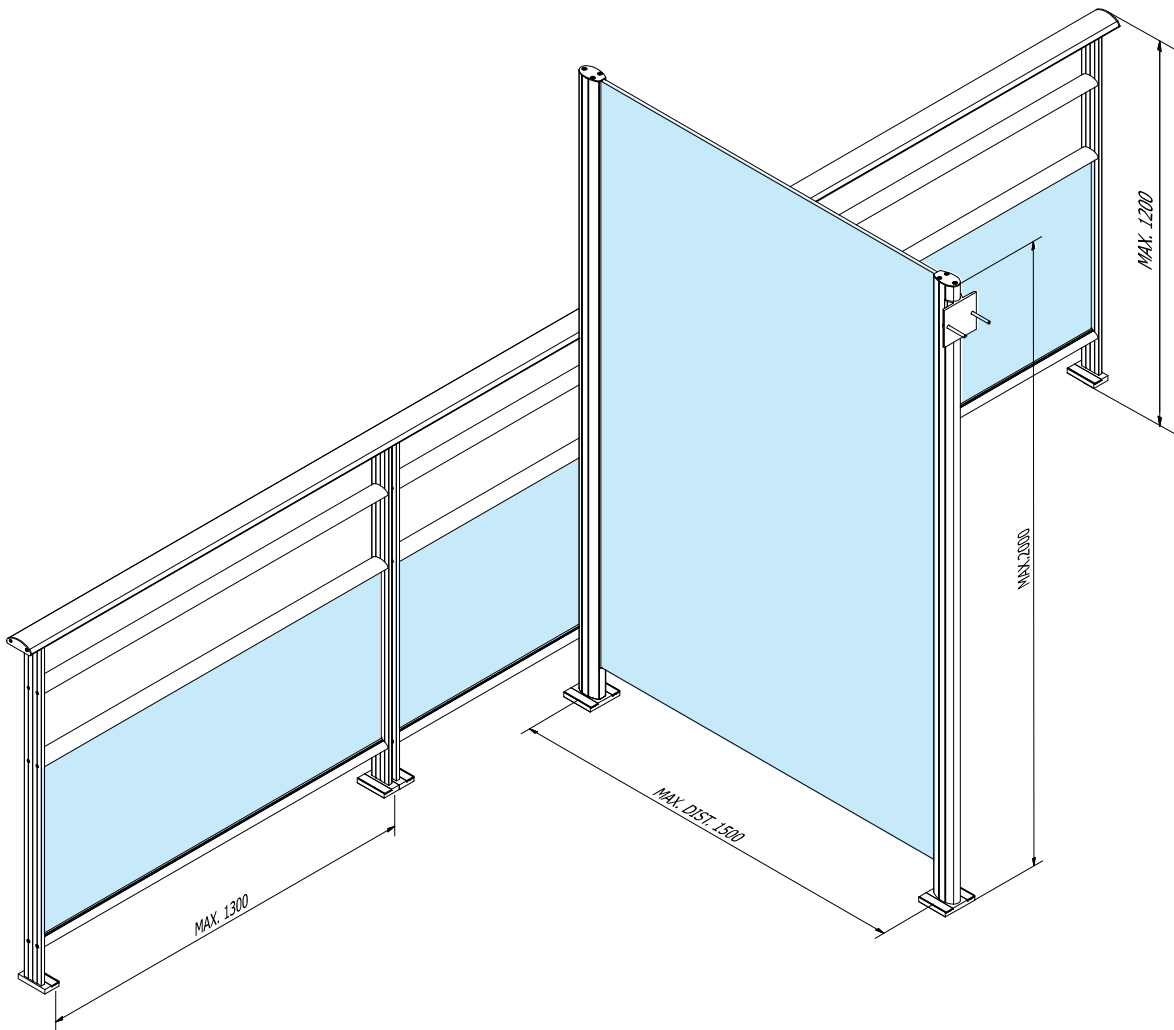
Item	Qty	Part Number	Description
1	1	FSN-102	Orbit1 post
2	2	FSN-122 (100 mm)	Glass stand-off
5	1	FSN-122	Post side cap
3	1	4716 (Pair)	Orbit 1 footplate
4	1	4924	Orbit1 top cover
8	3	DIN7982-6.3X50	Footplate screws
9	2	E4912	Gasket
10	2	US530-1/2/3/4 PRM	Glazing gasket
11	2	EBM-10120G/2	Fischer concrete screw
12	2	4710	Footplate cover



Item	Qty	Part Number	Description
1	1	FSN-102	Orbit1 post
2	2	FSN-122 (100 mm)	Glass stand-off
3	1	4713	Orbit1 footplate
4	1	4924	Orbit1 top cover
8	3	DIN7982-6.3x50	Footplate screws
9	2	E4912	Gasket
10	2	US530-1/2/3/4 PRM	Glazing gasket
11	2	EBM-10120G/2	Fscher concrete screw
12	2	E4710	Footplate cover
13	1	FSN-122	Post side cap

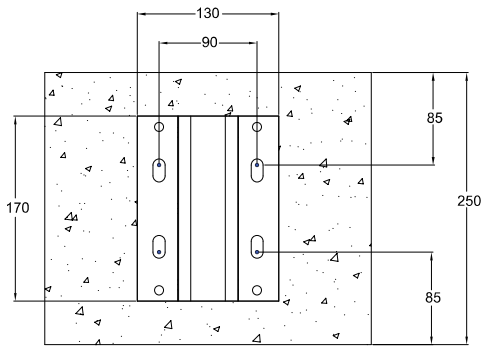
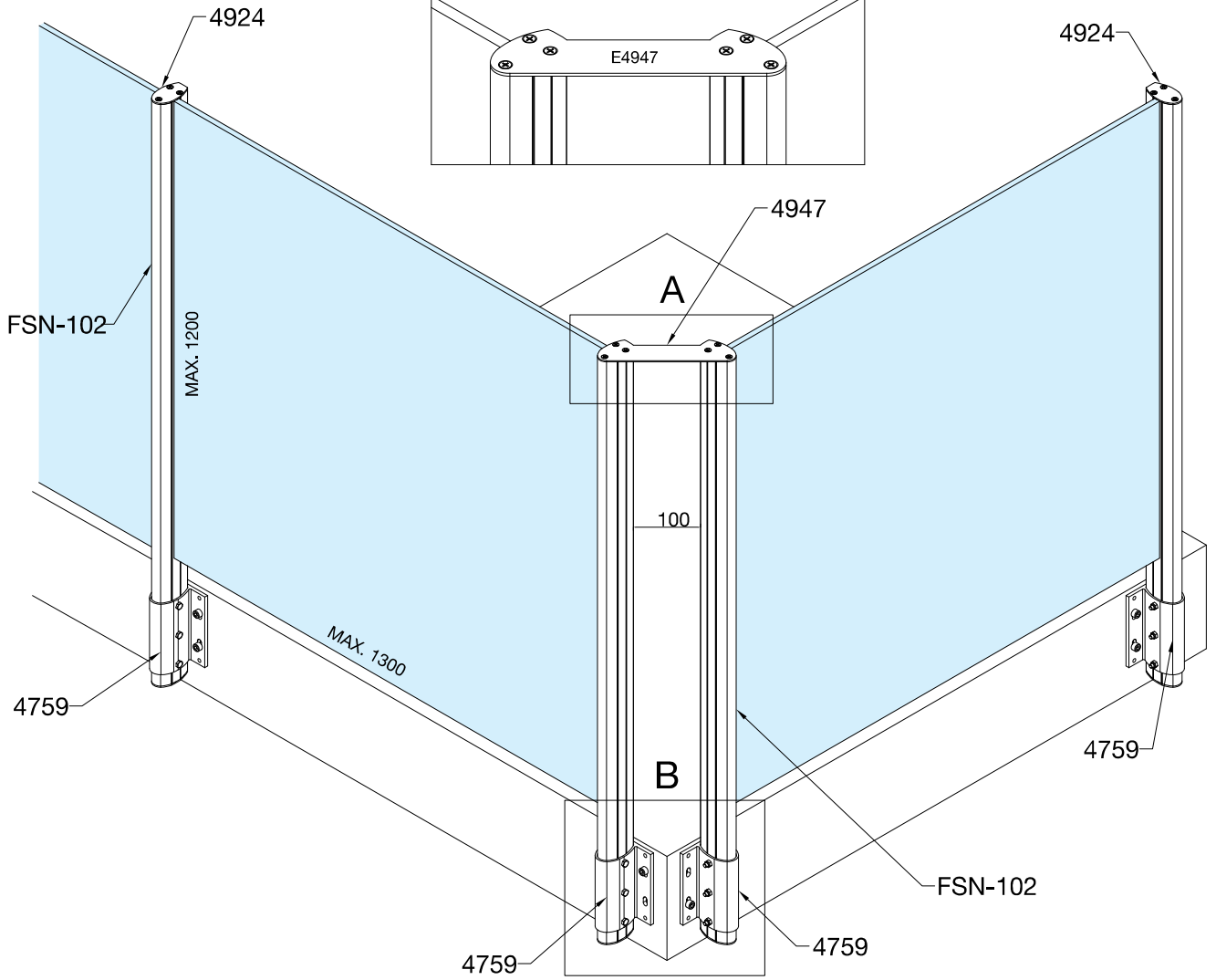
Typical orbit 1 rail type for hotel partitions



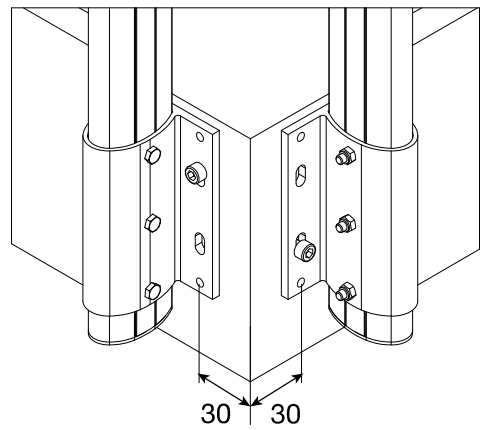


SIDE MOUNT-CORNER ORBIT-01

DETAIL VIEW-A

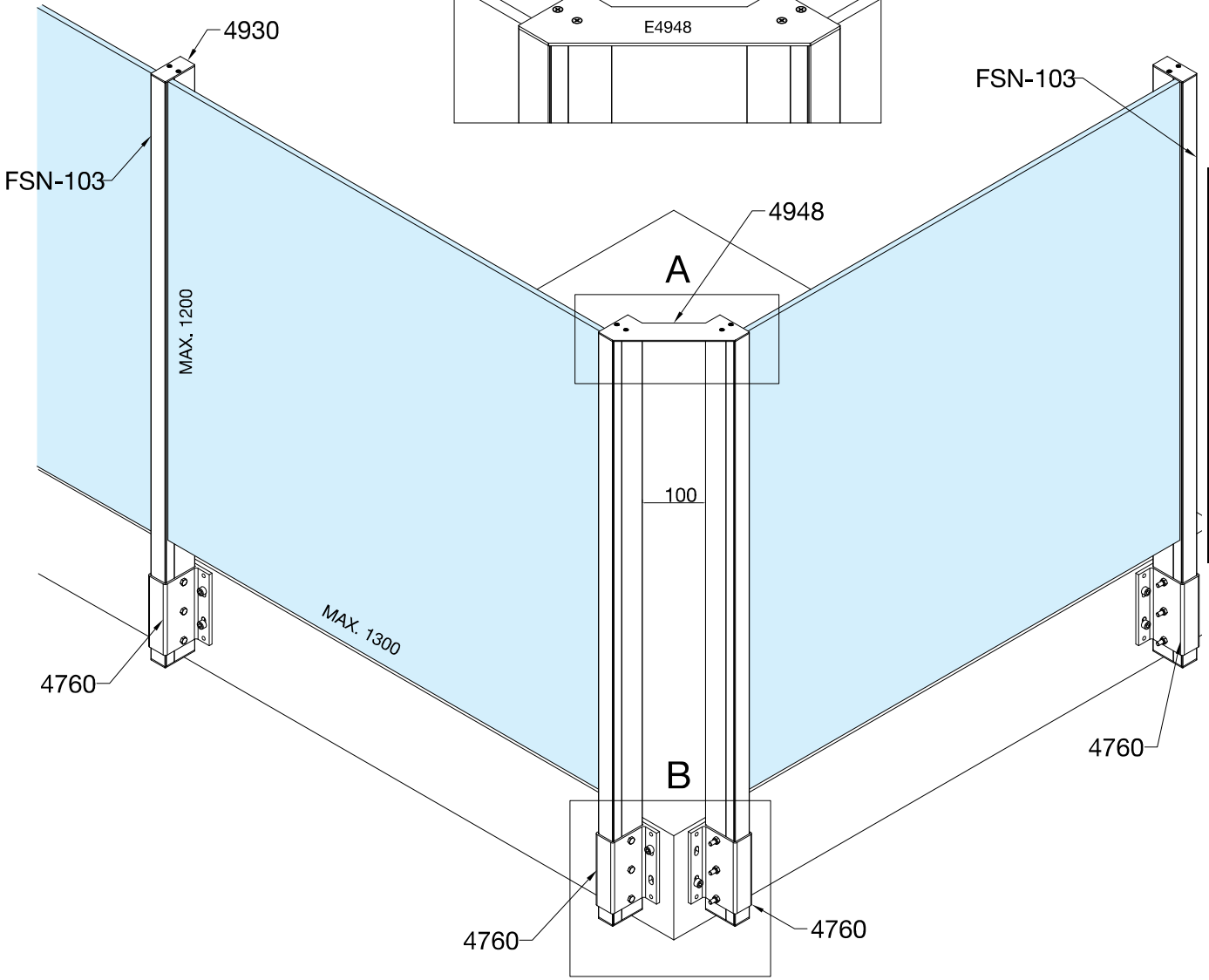
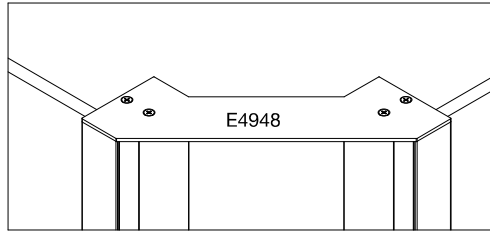


B - CORNER POSITION



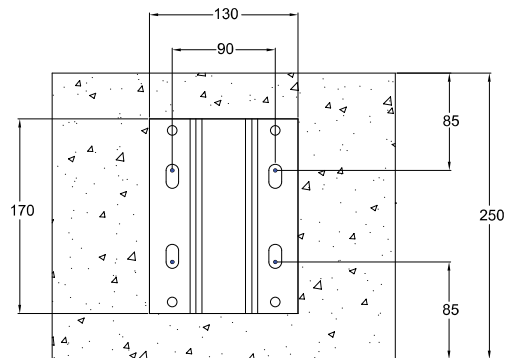
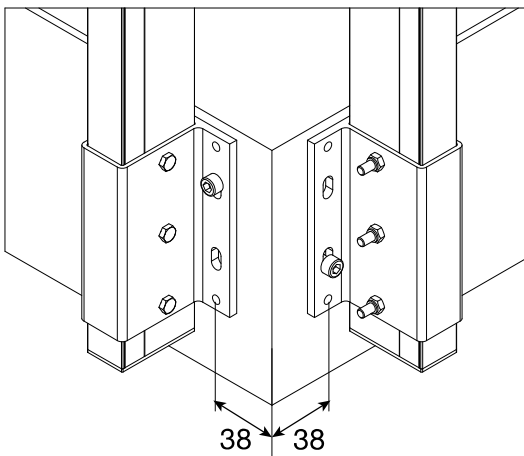
SIDE MOUNT-CORNER ORBIT-02

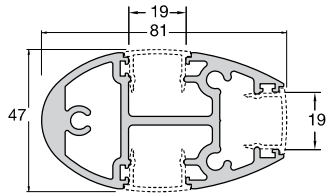
DETAIL VIEW-A



Assembly Orbit

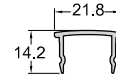
B - CORNER POSITION





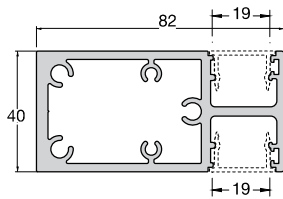
Code: **FSN-102**

COLUMN OVAL 45x80



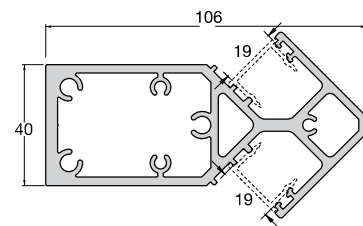
Code: **FSN-122**

COVER FOR COLUMN FSN-102



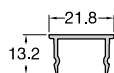
Code: **FSN-103**

COLUMN 40x82 (WITHOUT CAP)



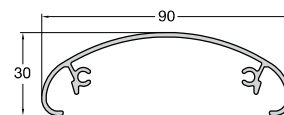
Code: **FSN-104**

COLUMN CORNER



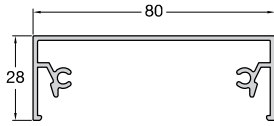
Code: **FSN-123**

COVER FOR COLUMN FSN-103/104



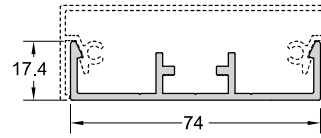
Code: **FSN-222**

COVER FOR HANDRAIL OVAL 90x30



Code: **FSN-221**

COVER FOR HANDRAIL 80x28



Code: **CLS-201**

BASE FOR HANDRAIL FSN-221/222



Code: **4289**

CORNER CONNECTOR 90° FOR HANDRAIL CLS-201



Code: **4275**

HANDRAIL CONNECTOR



Code: **4713**

SUPPORT FOOT FOR COLUMN FSN-102



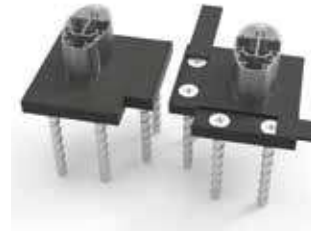
Code: **4733**

SUPPORT FOOT FOR COLUMN FSN-102



Code: **4716**

CORNER SUPPORT FOOT FOR COLUMN FSN-102



Code: **4736**

CORNER SUPPORT FOOT FOR COLUMN FSN-102



Code: **4738**

SUPPORT FOOT FOR COLUMN FSN-102 LEFT



Code: **4739**

SUPPORT FOOT FOR COLUMN FSN-102 RIGHT



Code: **4714**

SUPPORT FOOT FOR COLUMN FSN-103



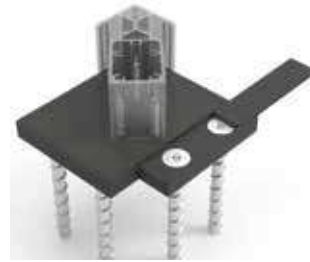
Code: **4734**

SUPPORT FOOT FOR COLUMN FSN-103



Code: **4715**

SUPPORT FOOT FOR COLUMN FSN-104



Code: **4735**

SUPPORT FOOT FOR COLUMN FSN-104



Code: **4759**

EXT. WALL SUPPORT FOR COLUMN FSN-102 (HEAVY DUTY)



Code: **4760**

EXT. WALL SUPPORT FOR COLUMN FSN-103 (HEAVY DUTY)



Code: **4752**

WALL SUPPORT FOR COLUMN FSN-102



Code: **4756**

WALL SUPPORT FOR COLUMN FSN-102 (HEAVY DUTY)



Code: **4924**

END CAP FOR COLUMN FSN-102



Code: **4925**

END CAP FOR COLUMN FSN-102 (LEFT)



Code: **4926**

END CAP FOR COLUMN FSN-102 (RIGHT)



Code: **4927**

END CAP FOR COLUMN FSN-102 (1)



Code: **4928**

END CAP FOR COLUMN FSN-102 (2)



Code: **4929**

END CAP FOR COLUMN FSN-102 (3)



Code: **4936**

END CAP FOR COLUMN FSN-102 (LEFT)



Code: **4937**

END CAP FOR COLUMN FSN-102 (RIGHT)



Code: **4930**

END CAP FOR COLUMN FSN-103



Code: **4931**

END CAP FOR COLUMN FSN-103 (LEFT)



Code: **4932**

END CAP FOR COLUMN FSN-103 (RIGHT)



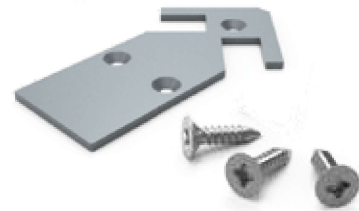
Code: **4933**

END CAP FOR COLUMN FSN-103 (2)



Code: **4934**

END CAP FOR COLUMN FSN-104



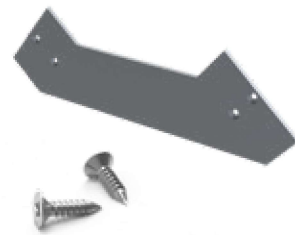
Code: **4935**

END CAP FOR COLUMN FSN-104 (2)



Code: **4947**

END CORNER CAP FOR COLUMN FSN-102



Code: **4948**

END CORNER CAP FOR COLUMN FSN-103



Code: **4921**

END CAP FOR HANDRAIL FSN-222



Code: **4270**

CONNECTOR FOR CLS-201/301/302/305



Code: **4913**

GLASS SUPPORT ORBIT 1/2



Code: **US530-2/3/4 PRM**

GLAZING GASKET



Code: **4912**

GASKET FOR F50-319 RAIL 10mm GLASS



Code: **US530-1 PRM**

GLAZING GASKET