

ALLS

All Solutions OÜ

www.all.ee

Synt

thesis



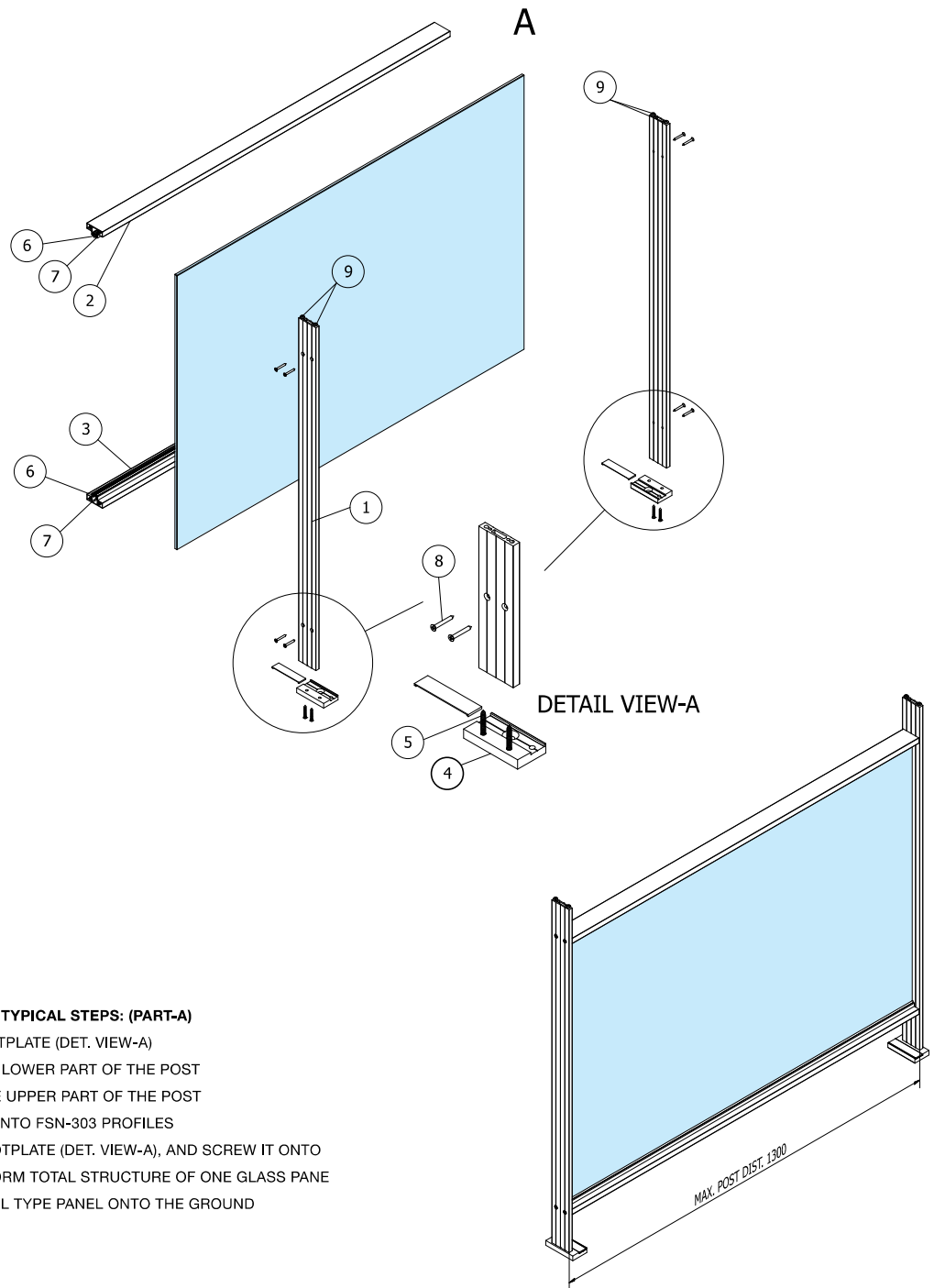




- # Contemporary minimal design with a sleek finish look.
- # Fast and easy assembly as well as installation.
- # 80% of fabrication is done in-house while only 20% needs to be finished on site.
- # Pre-fabricated independent panels.
- # Split section top handrail connects total span of railings.
- # Column width 12 mm.
- # Maximum span between columns 1300 mm.
- # Maximum glass thickness 55.4pvb = 11.52 mm.
- # Wide range of profile combinations.
- # Choice of rectangular or oval cross sections.
- # All components are made of durable aluminium.
- # Available in wide range of powder coating finishes.
- # Suitable for balconies, ideal for residences as well as hotel facilities.



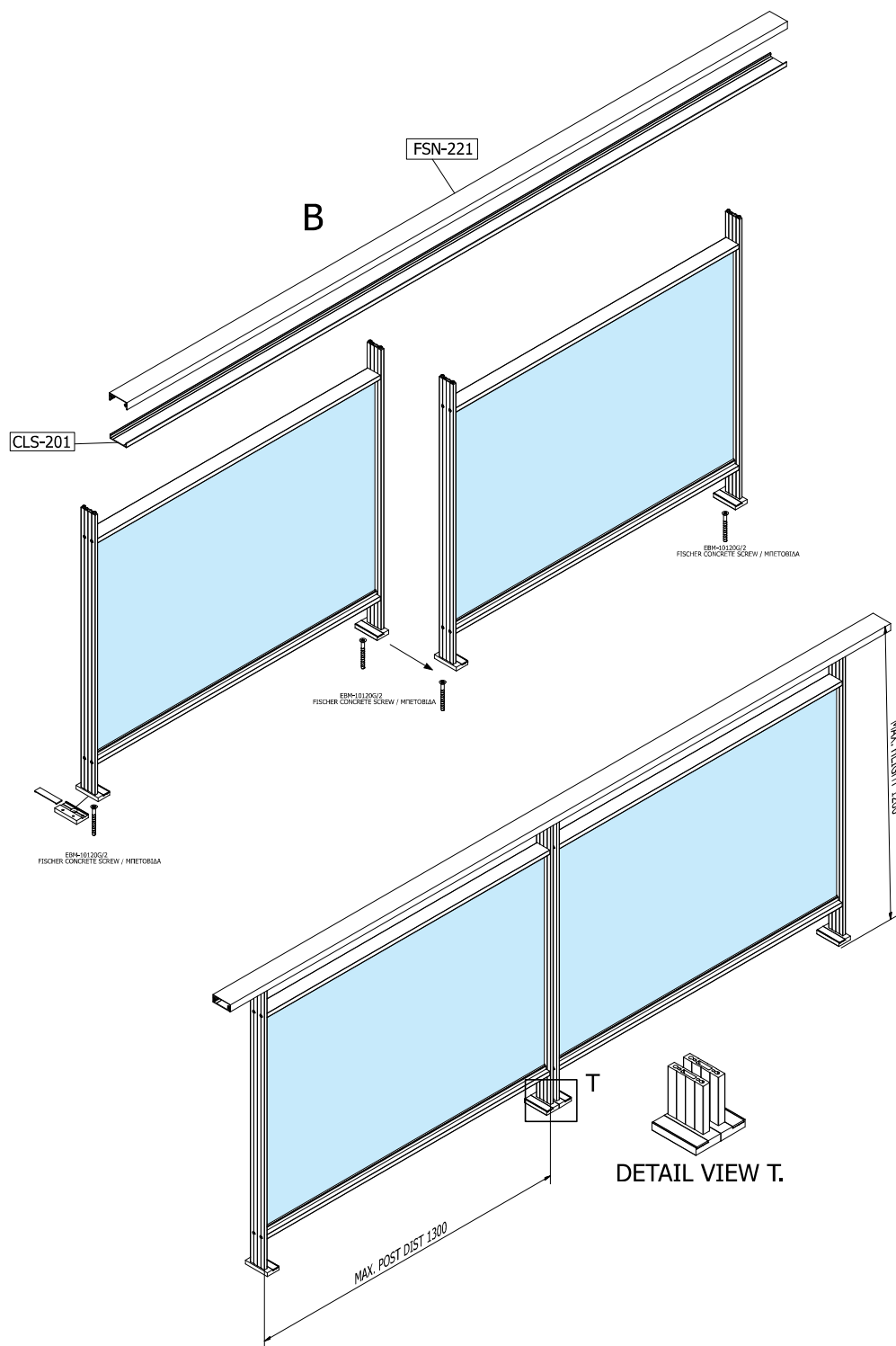




FUSION SYNTHESIS ASSEMBLY TYPICAL STEPS: (PART-A)

1. ASSEMBLE 1st POST & FOOTPLATE (DET. VIEW-A)
2. SCREW FSN-303 ONTO THE LOWER PART OF THE POST
3. SCREW FSN-303, ONTO THE UPPER PART OF THE POST
4. INSERT GASKETS & GLASS INTO FSN-303 PROFILES
5. ASSEMBLE 2nd POST & FOOTPLATE (DET. VIEW-A), AND SCREW IT ONTO AWAITING ASSEMBLY TO FORM TOTAL STRUCTURE OF ONE GLASS PANE
6. PUT TOTAL ASSEMBLED RAIL TYPE PANEL ONTO THE GROUND

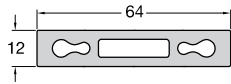
Item	Qty	Part Number	Description
1	2	FSN-100	Synthesis post
2	1	FSN-303	Glass guide rail
3	1	FSN-303	Glass guide rail
4	1	4712 (as a pair)	Synthesis footplate
5	4	DIN7982-6.3x50	Footplate screws
6	2	E4912	Gasket
7	2	US530-1/2/3/4 PRM	Glazing gasket
8	8	DIN7504P-4.8x38	Sheet metal screws
9	4	DIN7504N-6.3x32	Sheet metal screws
10	2	E4710	Footplate cover



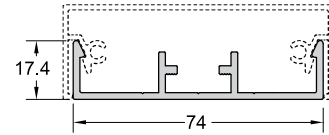
FUSION SYNTHESIS ASSEMBLY TYPICAL STEPS: (PART-B)

7. FIX TWO ASSEMBLED RAIL PANELS CLOSE TO EACH OTHER ONTO THE GROUND (DET. VIEW- T), WITH FISCHER CONCRETE SCREW
8. SCREW HANDRAIL BOTTOM PART ON THE TOP PART OF THE POSTS
9. CLICK AND CONNECT HANDRAIL UPPER PART ONTO THE HANDRAIL BOTTOM PART TO COMPLETE THE RAIL TYPE ASSEMBLY

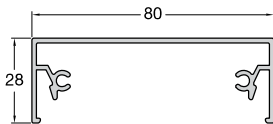
Τεμάχια Item	Ποσότητα Qty	Κωδικός Part Number	Περιγραφή Description
1	1	CLS-201	Handrail base
2	1	FSN-221	Handrail cover



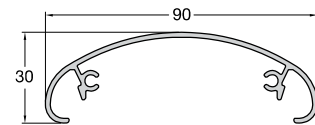
Code: **FSN-100**
COLUMN 12x64



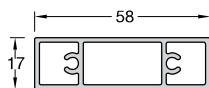
Code: **CLS-201**
BASE FOR HANDRAIL FSN-221/222



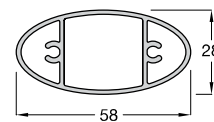
Code: **FSN-221**
COVER FOR HANDRAIL 80X28



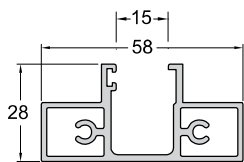
Code: **FSN-222**
COVER FOR HANDRAIL 90X30



Code: **FSN-302**
SQUARE 58x17

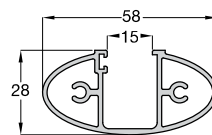


Code: **FSN-304**
PROFILE OVAL 58X28



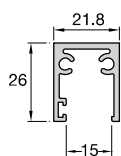
Code: **FSN-303**

GUIDE FOR GLASS 58x28



Code: **FSN-306**

GUIDE OVAL FOR GLASS



Code: **FSN-307**

GUIDE FOR GLASS 21.8x26



Code: **4289**

CORNER CONNECTOR 90° FOR HANDRAIL CLS-201



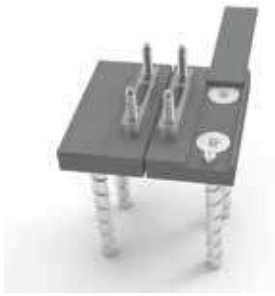
Code: **4275**

CONNECTOR FOR GUIDE CLS-302



Code: **4712**

SUPPORT FOOT FOR COLUMN FSN-100



Code: **E4710**
SUPPORT FOOT FOR COLUMN FSN-100



Code: **4732**
FOOT COVER FOR 4712



Code: **4922**
END CAP FOR HANDRAIL FSN-221



Code: **4921**
END CAP FOR HANDRAIL FSN-222



Code: **4270**
CONNECTOR FOR CLS-201/301/302/305



Code: **4912**
GLAZING GASKET

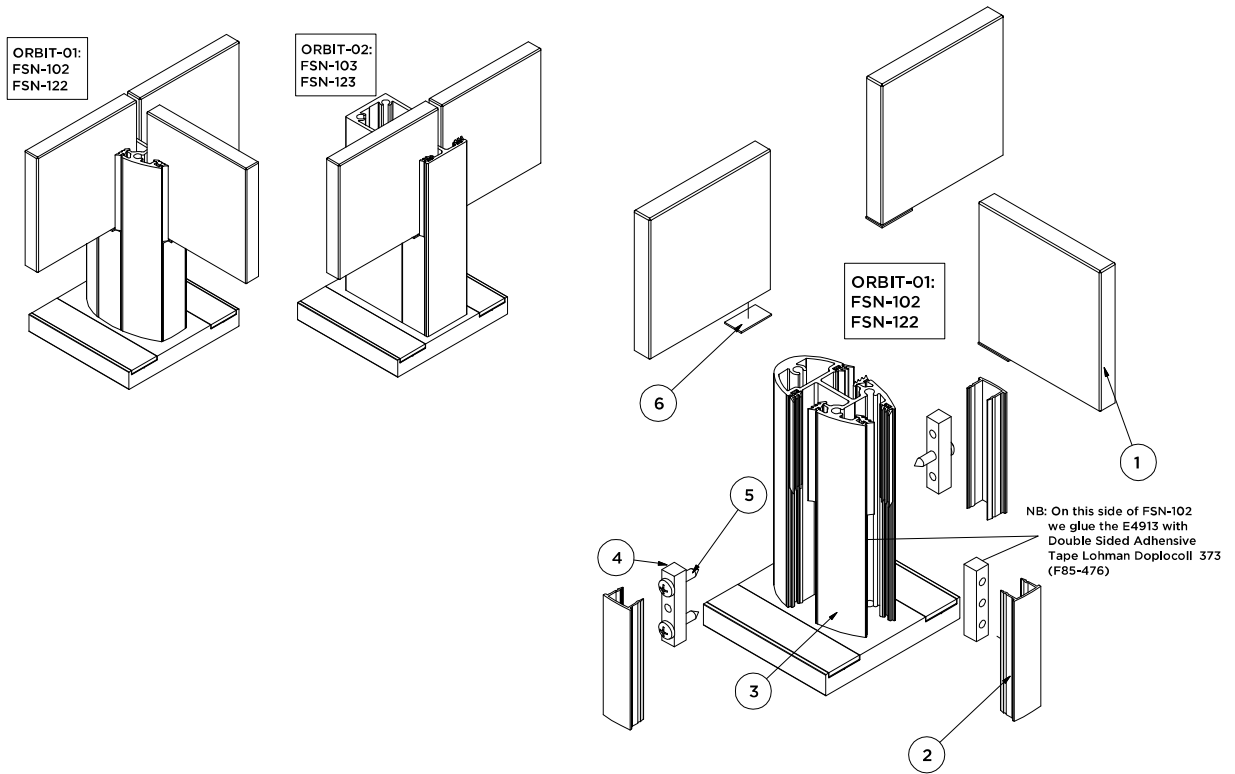


Code: **US530-2/3/4 PRM**
GLAZING GASKET



Code: **UA410-420M**
GLAZING GASKET 1 MM

Guidelines for glass panel support in Orbit types



* Exactly the same fixation applies also for ORBIT-02: FSN-103/123

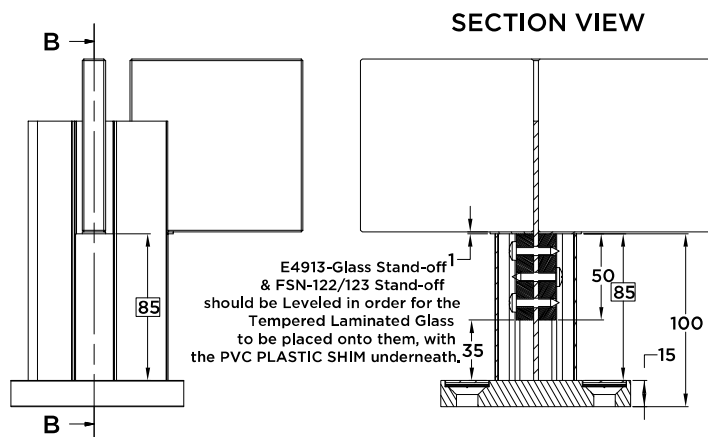
Item	Qty	Part Number	Description
1	3	-	Tempered Laminated Glass 13.52mm Glass Panel TSG
2	3	FSN-122	Glass Panel Stand-Off
3	1	FSN-102	ORBIT-01 POST
4	3	E4913	INFILL WITH SCREWS
5	3	DIN 7504N - 5,5 x 25	(Sheetmetal) Tapping Screw
6	3	F85-410, or F85-411, or F85-020, or F85-021	Glass Panel Shim 1mm

* F85-410 ->1mm PVC WHITE sheet 2m to be cut to pieces of 14x25x1mm, or

* F85-411 ->1mm PVC WHITE sheet 2m to be cut to pieces of 14x25x1mm, or

* F85-E020 ->1mm PVC WHITE sheet 150mm to be cut to pieces of 14x25x1mm, or

* F85-E021 ->1mm PVC WHITE sheet 300mm to be cut to pieces of 14x25x1mm.



Concrete anchors



Code: **EB7991-1070**
INOX ALLEN SCREW DIN7991 M10X70



Code: **EB01M-1040**
EXPANSION PLUG



Code: **EBM-10120G/2**
ALLEN TORX CONCRETE SCREW 10X120



Code: **EBM-75092G**
TORX CONCRETE SCREW



Code: **EBM-75112G**
TORX CONCRETE SCREW

ALUMINCO[®]
ALUMINIUM BUILDING SYSTEMS

www.alls.ee

ALLS
All Solutions OÜ

www.alls.ee